



QUICK SHIP PROGRAM

WALK-IN COOLERS AND FREEZERS BY 

Fastcooler is U.S. Cooler's Quick Ship Program with in-stock models shipping within 3-5 days. Fastcooler models are made with the same precision and high-quality materials, but are designed to provide a quick delivery with a low cost.



➤ FAST

➤ AFFORDABLE

➤ QUALITY

FASTCOOLER MODELS FEATURES:

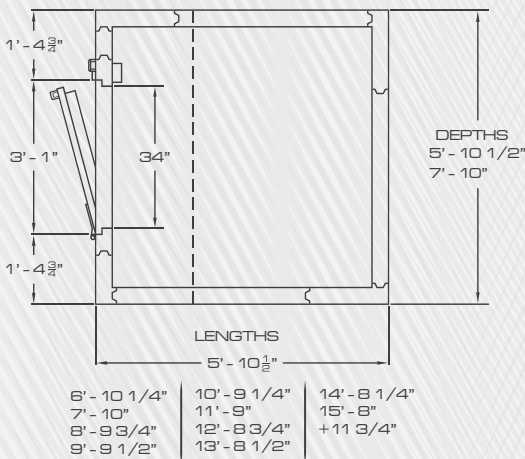
- Panels are UL and NSF Approved
- EISA Compliant
- Floor or Floorless Options (all freezers come with a floor)
- Indoor or Outdoor Options
- Vert-Ergo™ Key Lock Handle, Adjustable Hinges, Light Switch, Digital Thermometer
- Doors are 34" x 76", Self-Closing, Left or Right Hinge (to be specified)
- Available with Remote Pre-Assembled, Saddle Mount or Self-Contained Refrigeration
- Available with Vinyl Rain Roof on Outdoor Models
- Numerous Lengths & Widths
- Multiple Door Placement Locations

- 10 Year Panel Warranty
- 5 Year Compressor Warranty
- 1 Year Compressor Labor Warranty
- 1 Year Parts Warranty

➤ FOR QUALITY ASSURANCE

Every model is factory assembled before leaving the plant, even models shipped within a day.

FASTCOOLER WALK-IN MODEL SIZES



CONSTRUCTION:

Modular Panels are connected with cam-lock connectors. All walls, ceilings, and floor panels use no wood unless otherwise noted. All walk-ins are EISA compliant.

INSULATION:

4" extruded polystyrene

SKIN:

26 ga. galvanized, galvalume, painted or 24 ga. stainless steel.

DOORS:

Self-closing, flush mount with magnetic gasket; chrome latches and hinges; vertical handle, safety release handle, automatic self closer, vapor proof light and thermometer.

Specifications as listed here are subject to change without notice. Item drawn may not be exactly as shipped.

FLOORS:

22 ga. stainless steel (Extruded Polystyrene)

REFRIGERATION:

Pre-assembled remote, saddle mount, self-controlled, top mount, indoor, outdoor.

OPTIONS:

Shelving, lighting, strip curtains, viewing windows, alarms and more can be purchased through our sales department.

*May not be available for quick ship.

WARRANTY:

Limited 10 year panels, 5 year compressor, 1 year compressor labor, 1 year parts.



*All boxes can be sold without refrigeration units.

WALK-IN COOLERS (No Floor)

Walk-in Nominal Size/Location	Pre-Assembled Remote (Indoor)	Pre-Assembled Remote (Outdoor) 95°F Ambient	Pre-Assembled Remote (Outdoor) 110°F Ambient	Saddle Mount (Indoor)	Saddle Mount (Outdoor) 95°F Ambient	Saddle Mount (Outdoor) 110°F Ambient	Self-Contained Top Mount (Indoor)
6x6 Indoor	CI66NF.PA85	CI66NF.PA95	CI66NF.PA110	CI66NF.SM85	—	—	CI66NF.TM85
6x6 Outdoor	—	CO66NF.PA95	CO66NF.PA110	—	CO66NF.SM95	CO66NF.SM110	—
6x8 Indoor	CI68NF.PA85	CI68NF.PA95	CI68NF.PA110	CI68NF.SM85	—	—	CI68NF.TM85
6x8 Outdoor	—	CO68NF.PA95	CO68NF.PA110	—	CO68NF.SM95	CO68NF.SM110	—
6x10 Indoor	CI610NF.PA85	CI610NF.PA95	CI610NF.PA110	CI610NF.SM85	—	—	CI610NF.TM85
6x10 Outdoor	—	CO610NF.PA95	CO610NF.PA110	—	CO610NF.SM95	CO610NF.SM110	—
8x8 Indoor	CI88NF.PA85	CI88NF.PA95	CI88NF.PA110	CI88NF.SM85	—	—	CI88NF.TM85
8x8 Outdoor	—	CO88NF.PA95	CO88NF.PA110	—	CO88NF.SM95	CO88NF.SM110	—
8x10 Indoor	CI810NF.PA85	CI810NF.PA95	CI810NF.PA110	CI810NF.SM85	—	—	CI810NF.TM85
8x10 Outdoor	—	CO810NF.PA95	CO810NF.PA110	—	CO810NF.SM95	CO810NF.SM110	—

WALK-IN COOLERS (With Floor)

Walk-in Nominal Size/Location	Pre-Assembled Remote (Indoor)	Pre-Assembled Remote (Outdoor) 95°F Ambient	Pre-Assembled Remote (Outdoor) 110°F Ambient	Saddle Mount (Indoor)	Saddle Mount (Outdoor) 95°F Ambient	Saddle Mount (Outdoor) 110°F Ambient	Self-Contained Top Mount (Indoor)
6x6 Indoor	CI66FL.PA85	CI66FL.PA95	CI66FL.PA110	CI66FL.SM85	—	—	CI66FL.TM85
6x6 Outdoor	—	CO66FL.PA95	CO66FL.PA110	—	CO66FL.SM95	CO66FL.SM110	—
6x8 Indoor	CI68FL.PA85	CI68FL.PA95	CI68FL.PA110	CI68FL.SM85	—	—	CI68FL.TM85
6x8 Outdoor	—	CO68FL.PA95	CO68FL.PA110	—	CO68FL.SM95	CO68FL.SM110	—
6x10 Indoor	CI610FL.PA85	CI610FL.PA95	CI610FL.PA110	CI610FL.SM85	—	—	CI610FL.TM85
6x10 Outdoor	—	CO610FL.PA95	CO610FL.PA110	—	CO610FL.SM95	CO610FL.SM110	—
8x8 Indoor	CI88FL.PA85	CI88FL.PA95	CI88FL.PA110	CI88FL.SM85	—	—	CI88FL.TM85
8x8 Outdoor	—	CO88FL.PA95	CO88FL.PA110	—	CO88FL.SM95	CO88FL.SM110	—
8x10 Indoor	CI810FL.PA85	CI810FL.PA95	CI810FL.PA110	CI810FL.SM85	—	—	CI810FL.TM85
8x10 Outdoor	—	CO810FL.PA95	CO810FL.PA110	—	CO810FL.SM95	CO810FL.SM110	—

WALK-IN FREEZER (With Floor)

Walk-in Nominal Size/Location	Pre-Assembled Remote (Indoor)	Pre-Assembled Remote (Outdoor) 95°F Ambient	Pre-Assembled Remote (Outdoor) 110°F Ambient	Self-Contained Top Mount (Indoor)	Self-Contained Top Mount (Outdoor) 95°F Ambient	Self-Contained Top Mount (Outdoor) 110°F Ambient	
6x6 Indoor	FI66FL.PA85	FI66FL.PA95	FI66FL.PA110	FI66FL.TM85	—	—	
6x6 Outdoor	—	FO66FL.PA95	FO66FL.PA110	—	FO66FL.TM95	FO66FL.TM110	
6x8 Indoor	FI68FL.PA85	FI68FL.PA95	FI68FL.PA110	FI68FL.TM85	—	—	
6x8 Outdoor	—	FO68FL.PA95	FO68FL.PA110	—	FO68FL.TM95	FO68FL.TM110	
6x10 Indoor	FI610FL.PA85	FI610FL.PA95	FI610FL.PA110	FI610FL.TM85	—	—	
6x10 Outdoor	—	FO610FL.PA95	FO610FL.PA110	—	FO610FL.TM95	FO610FL.TM110	
8x8 Indoor	FI88FL.PA85	FI88FL.PA95	FI88FL.PA110	FI88FL.TM85	—	—	
8x8 Outdoor	—	FO88FL.PA95	FO88FL.PA110	—	FO88FL.TM95	FO88FL.TM110	
8x10 Indoor	FI810FL.PA85	FI810FL.PA95	FI810FL.PA110	FI810FL.TM85	—	—	
8x10 Outdoor	—	FO810FL.PA95	FO810FL.PA110	—	FO810FL.TM95	FO810FL.TM110	